

TOUGH BROOM

MCD-UV



A Tool for All Seasons

WINTER: Confidently move six inches of snow.

SPRING: Use it in for de-thatching lawns, sweeping roadsides, paths, tracks and parking lots.

SUMMER: Clean construction sites, backfill or even prep for parking lot striping.

FALL: The perfect leaf clean up tool.

FEATURES

- ◆ Quick-tach Mounting System
- ◆ 5 and 6 foot broom width
- ◆ 25" brush diameter
- ◆ Convoluted wafers, available in poly, poly / wire or wire
- ◆ Powered by 13.5 HP gas engine
- ◆ 25° angle left / right
- ◆ Steel tubular frame construction
- ◆ Mechanical center drive design
- ◆ Remote control from operator's cab available



MCD-UV TOUGH BROOM



Specially designed Quick-Tach Frame allows broom and engine mount to follow the contour of the ground.

Remote control unit allows for unit swing (optional) and lift, as well as an exclusive E-Stop technology that shuts the broom off in case of emergency.

SPECIFICATIONS

GENERAL

- Mechanical Center Drive Broom
- Broom: 25" x 60" wide (72" available)
- Broom Speed: 180 RPM
- Total Lift Height: 7"

FRAME

- Diameter: 2.38"
- Thickness: 0.25"
- Brush Frame Bearings: 2 Bolt Flange
- 2 Brush Arms, one on each end for support
- Mounting Frame Thickness: 0.25"

BRUSH

- Core Style: Tri-Core
- Refillable core with convoluted wafer segments
- Poly Brush Core (Available in Poly / Wire Combination or Wire)

DRIVE

- Engine Belt Drive: B Style V-Belt
- Sheeve Style: Single Groove
- Clutch Style: Centrifugal Clutch
- Clutch Rating: 2000 RPM Engagement
- Drive Shaft Style: Telescoping

GEARBOX

- 6:1 Parallel Shaft
- 3:1 Tee Shaft

CASTERS

- Caster Wheel Rating: 495#
- Diameter: 10"

SWING

- 25° Left / Right

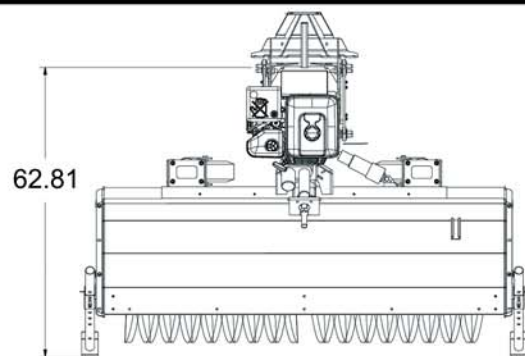
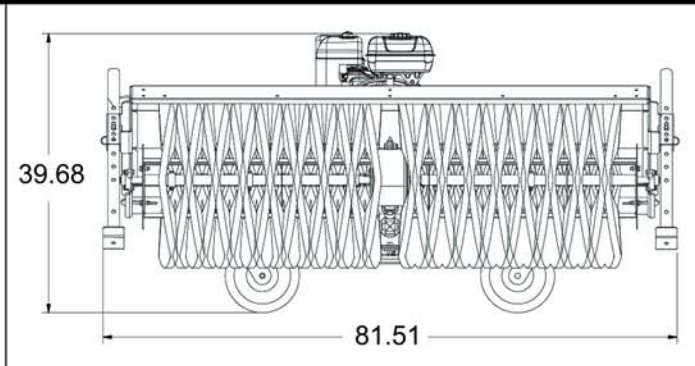
HOOD

- Thickness: 16 gauge
- Cover 155° of brush circumference
- Pre-drilled for installation of dirt deflector on leading ledge of hood
- Ends covered by formed end plates

OPTIONS:

- DEFLECTOR
- SIGHT FLAGS
- REMOTE CONTROL
- STORAGE STANDS
- CUSTOM COLORS
- MORE AVAILABLE OPTIONS

DIMENSIONS



MB Companies Attachment Division

1615 Wisconsin Ave / New Holstein, Wisconsin 53061 / 1-800-558-5800 / sales@m-bco.com