



Fixed V-Plow



SPECIFICATIONS

- ◆ Three point CAT II hitch manufactured using box frame construction.
- ◆ Facet bent moldboard is manufactured from 10 gauge hot rolled steel.
- ◆ Four coil compression springs provide shock absorption, cushion, oscillation and moldboard trip.
- ◆ Blade height is 44" at rear corners.
- ◆ Blade width / Overall width is 50".
- ◆ Overall length 58".
- ◆ Weight 450lbs.
- ◆ Cutting angle is 45 degrees.
- ◆ Configured with replaceable ½" x 6" hardened cutting edge on each side of the blade.
- ◆ Steel, adjustable, replaceable, center mounted skid shoe functions as leading edge of the plow and allows plow assembly to ride over cracks and small obstacles when operated in float mode.
- ◆ Plow is finished with epoxy primer and polyurethane top coat. Color is MB yellow.

MB Companies - MSV Sales

1615 Wisconsin Avenue / New Holstein, Wisconsin 53061

1-800-558-5800 / sales@m-bco.com

www.m-bco.com



Fixed V-Plow

MODEL

One Available Width

Width

50"

Height

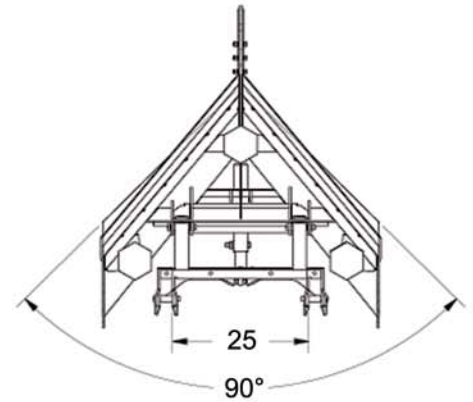
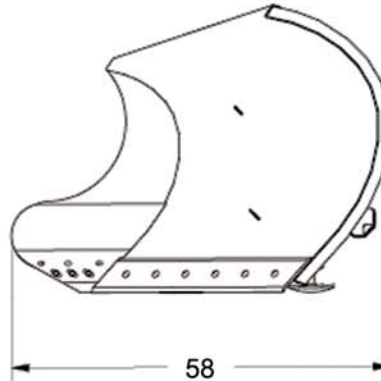
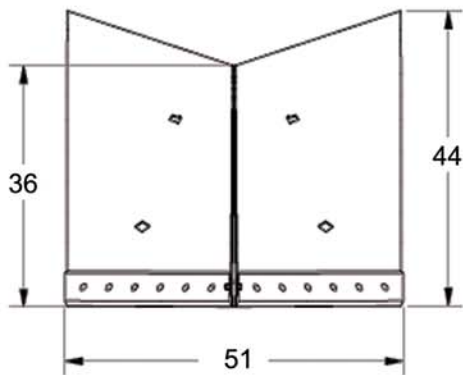
44"

Length

58"

Weight

450 lbs.



DISTRIBUTED BY:



MSV Sales

1615 Wisconsin Avenue
New Holstein, Wisconsin 53061
1-800-558-5800



In the interest of continual product improvement, M-B Companies, Inc. reserves the right to change specifications without notice. (8/2009)