



Folding V-Plow



SPECIFICATIONS

- ◆ Folding plow operates angled left, angled right, straight, in V-plow configuration and inverted V-plow (scoop) configuration.
- ◆ Length: 30", Width: 60", and Weight: 600lbs.
- ◆ Three point CAT II hitch manufactured using box frame construction.
- ◆ Rolled moldboard is manufactured from 10 gauge hot rolled steel. Each half is configured with a spring loaded trip edge employing dual compression springs.
- ◆ Clearing width in straight configuration is 60". Clearing width is 50" in angled, V-plow, or inverted V-plow configurations.
- ◆ Two dual acting, 2" bore pistons provide hydraulic angling.
- ◆ Blade height is 33 inches.
- ◆ Configured with two 5 inch wide masticated rubber deflector strips and two replaceable 1/2" x 6" hardened cutting edges.
- ◆ Plow controls integrated into vehicle joystick.
- ◆ Hydraulic connections made by two sets of quick disconnects.
- ◆ Two cast iron adjustable, replaceable skid shoes mounted on outside corners of plow moldboard.
- ◆ Replaceable center skid shoe with raised leading edge allows plow assembly to ride over cracks and small obstacles when operated in float mode.
- ◆ Dual cushion valves protect mold board and frame from shock and impacts.
- ◆ Plow is finished with an epoxy primer and polyurethane top coat. Color is MB yellow.

MB Companies - MSV Sales

1615 Wisconsin Avenue / New Holstein, Wisconsin 53061

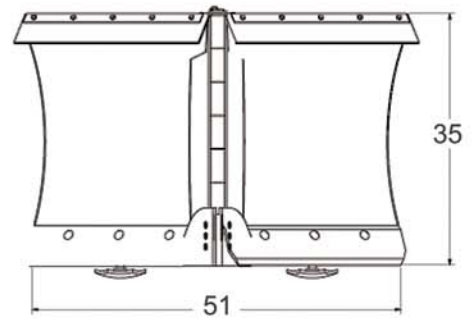
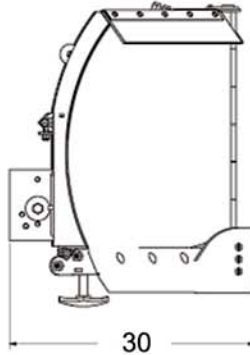
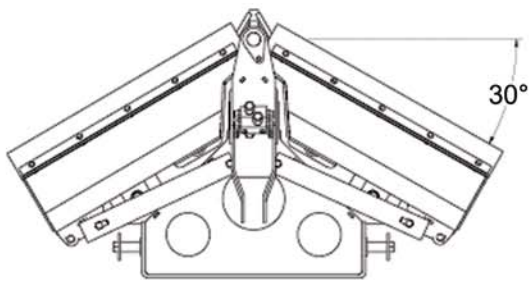
1-800-558-5800 / sales@m-bco.com

www.m-bco.com



FOLDING V-PLOW

| MODEL | APV 60''' | APV 96''' |
|----------------|-----------|-----------|
| Width | 60" | 96" |
| Height | 35" | 35" |
| Length | 30" | 30" |
| Weight | 575 lbs. | 705 lbs. |
| Clearing Width | 50" | 83" |



DISTRIBUTED BY:



MSV Sales
 1615 Wisconsin Avenue
 New Holstein, Wisconsin 53061
 1-800-558-5800



In the interest of continual product improvement, M-B Companies, Inc. reserves the right to change specifications without notice. (8/2009)