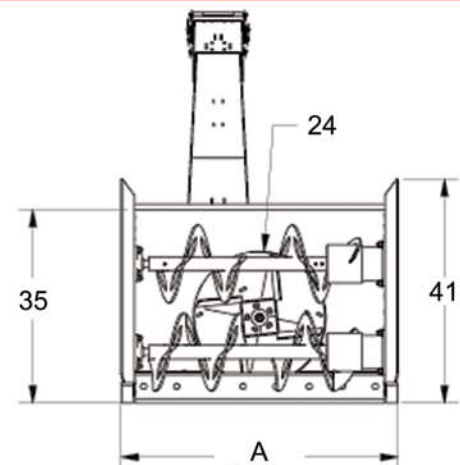
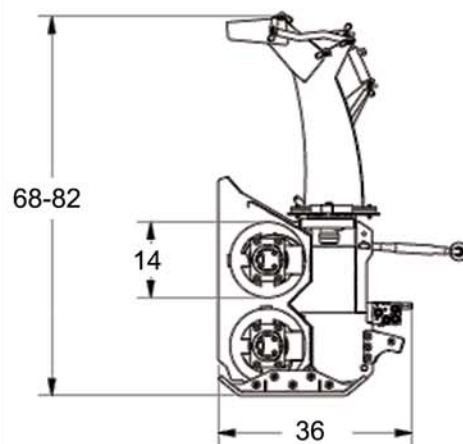


HYDRAULIC POWERED SNOW BLOWER - DUAL AUGER

MODEL	H2SB 50"	H2SB 66"	H2SB 72"	H2SB 84"
Width - A	50"	66"	72"	84"
Height	68" Deflector Down 82" Deflector Up	68" Deflector Down 82" Deflector Up	68" Deflector Down 82" Deflector Up	68" Deflector Down 82" Deflector Up
Length	36"	36"	36"	36"
Intake Height	35"	35"	35"	35"
Operating Weight	850 lbs	1030 lbs	1065 lbs	1125 lbs
Impeller Diameter	24"	24"	24"	24"
Impeller Depth	6"	6"	6"	6"
Impeller Blades	4	4	4	4
Auger Diameter	14.0"	14.0"	14.0"	14.0"
Chute Discharge Rotation (Hydraulically Controlled)	270°	270°	270°	270°
Deflector Control	Hydraulic	Hydraulic	Hydraulic	Hydraulic
Throw Distance	Up to 40 ft	Up to 40 ft	Up to 40 ft	Up to 40 ft
Cutting Edge (Bolt on)	.5 x 4.0"	.5 x 4.0"	.5 x 4.0"	.5 x 4.0"
Tons Per Hour	400 Tons	400 Tons	400 Tons	400 Tons

Requirements:

- ◆ Three Point Hitch
- ◆ One High Flow Hydraulic Circuit (20 GPM)
- ◆ Two Low Flow Hydraulic Circuits (2-5 GPM)



MSV Sales

1615 Wisconsin Avenue
New Holstein, Wisconsin 53061
1-800-558-5800

