

MB Companies, Inc. MSV - Multi Service Vehicle Attachment



Hydraulic Powered Snow Blower Single Auger



Efficient

The MSV snow blower features separate direct drive hydraulic motors on the auger and impeller. The hydraulic design eliminates high wear parts such as chains, gearboxes, and sprockets. Hydraulic quick disconnects and three-point mount allow for easy attachment and removal.

Durable

The chute rotation is completed by a chain, sprocket, and hydraulic motor – no more loose or tangled cables. High wear items such as cutting edge and skid shoes are manufactured from hardened steel.

Safe

In the event of an impact, auger and impeller are protected by a pressure relief in the hydraulic system.

Other Features

- *Two-stage design optimizes snow removal rate and provides maximum cast distance.*
- *Standard width is 50 inches to fit most sidewalk applications. Other widths are available.*
- *Hydraulically controlled chute rotation and deflector. All controls are integrated into MSV joystick.*

Options

- *Custom colors*
- *Custom widths*
- *Drift cutter side blades.*

MB Companies - MSV Sales

1615 Wisconsin Avenue / New Holstein, Wisconsin 53061

1-800-558-5800 / sales@m-bco.com

www.m-bco.com

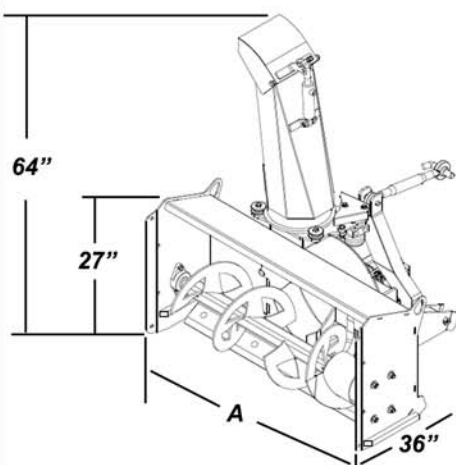


HYDRAULIC POWERED SNOW BLOWER - SINGLE AUGER

MODEL	H1SB 50"	H1SB 66"	H1SB 72"	H1SB 84"
Width - A	50"	68.5"	74.5"	86.5"
Height	61" Deflector Down 64" Deflector Up	61" Deflector Down 64" Deflector Up	61" Deflector Down 64" Deflector Up	61" Deflector Down 64" Deflector Up
Length	36"	36"	36"	36"
Intake Height	27"	27"	27"	27"
Operating Weight	600 lbs	780 lbs	815 lbs	875 lbs
Impeller Diameter	20.0"	20.0"	20.0"	20.0"
Impeller Depth	6"	6"	6"	6"
Impeller Blades	4"	4"	4"	4"
Auger Diameter	14.0"	14.0"	14.0"	14.0"
Chute Discharge Rotation (Hydraulically Controlled)	270°	270°	270°	270°
Deflector Control	Hydraulic	Hydraulic	Hydraulic	Hydraulic
Throw Distance	Up to 40 ft	Up to 40 ft	Up to 40 ft	Up to 40 ft
Cutting Edge (Bolt on)	.5 x 4.0"	.5 x 4.0"	.5 x 4.0"	.5 x 4.0"
Tons Per Hour	250 Tons	250 Tons	250 Tons	250 Tons

Requirements:

- ◆ Three Point Hitch
- ◆ One High Flow Hydraulic Circuit (20 GPM)
- ◆ Two Low Flow Hydraulic Circuits (2-5 GPM)



MSV Sales

1615 Wisconsin Avenue
New Holstein, Wisconsin 53061
1-800-558-5800

