



Airport Snow Removal Products

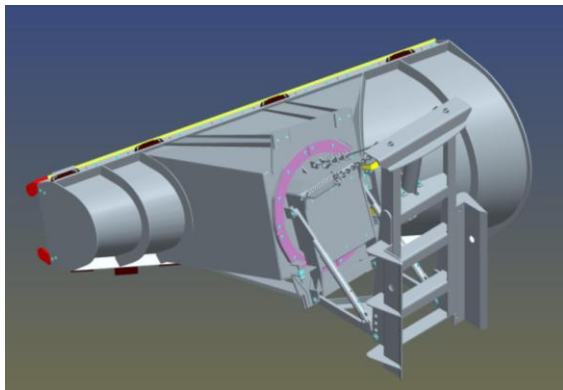
P7200-R Airport Rollover Plow



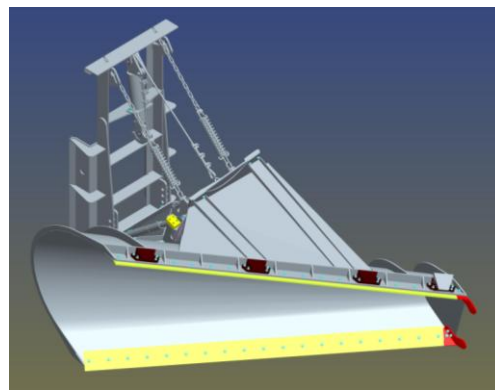
Shown with Pin Attach hitch



Shown with Husting hitch



Shown with Husting Hitch, plow side only



- Multiple chassis / hitch configurations available: Pin attach, Husting, DIN
 - Retrofittable to existing 40 inch Husting plow hitches
- Tapered moldboard with broad curvature produces high cast operation to throw snow high and far
 - No overspray for optimum operator visibility
- Short end allows visibility to maneuver around obstacles such as lights
 - 78 inch moldboard height (discharge end), 25 inch short end height, 3/16 thick steel
- 12 foot cutting edge length. 10 foot plowed path
- Entire moldboard rotates 180 degrees effortlessly to cast snow left or right
 - Rotation achieved using a planetary driven rollover mechanism
 - Moldboard can be stored in the vertical position, within the chassis width
- Standard cutting edge on each edge of moldboard. Easily removable,
 - All types of cutting edges possible
- 4 abrasion resistant steel skid shoes support each cutting edge to keep weight evenly distributed along cutting edge
- Cable lift with 2 weight transfer springs to reduce weight on cutting edge to reduce wear
 - Also puts more weight on front axle of chassis for maximum traction
- Designed for severe duty. Battleship design.
- Requires two auxiliary hydraulic circuits on chassis.
- Consult M-B for proper chassis compatibility



M-B Companies, Inc. / Airport Snow Removal Products

1200 Park Street / Chilton, Wisconsin 53014

1-800-558-5800 / Fax: 920-849-2629 / sales@m-bco.com / www.m-bco.com

In the interest of continuous product improvement, M-B Reserves the right to change specifications without notice.