

Pavement Marking

Creating Safer Highways Through Innovative Equipment



www.m-bco.com

 **mb**

a brand of aebi schmidt



On the mark.

From high-traffic freeways to airport runways, MB Pavement Marking equipment strives to provide the safest travel options.

The public relies on road markings to create a safe driving experience. They expect and deserve to have the clearest road markings available.

As a leading manufacturer, MB brings an economical outlet for governments and road marking contractors to supply the needs of the ever growing road and airport systems.



PAINT Striping Equipment

Available in **Airless**, **Pressure Pot Air Atomized** and **Pumper Air Atomized** varieties, MB Paint Striping Equipment also features **Kamber Guns** for your perfect application.

Highly **customizable** to cover most chassis offerings. Customer driven engineering requests and **custom equipment designs** are available on all models of M-B equipment.



Kamber Spray Systems are the worldwide leader in spray systems for road marking applications. Their products are designed with the finest materials and craftsmanship which results in the highest performing, low maintenance spray systems available.

MB is the **exclusive North American distributor** for Kamber products.

Many options of Paint Guns, Bead Guns and Hand Paint Guns are available.

Airless	Pressure Pot Air Atomized	Pumper Air Atomized
Paint volume is controlled by the pump pressure.	Paint volume is controlled by "air pressure".	Paint volume is controlled by the pump pressure.



THERMOPLASTIC Stripers

Thermoplastic is a pavement marking material that has been used in the United States since 1958. The material is a 100% solid, environmentally and user safe compound containing binder, pigments, fillers and glass spheres which liquefies when heat is applied.

THERMOPLASTIC MATERIALS FOR ROAD MARKINGS:

Hydrocarbon - Made from petroleum and derived from resins. Compatible with oil and diesel fuel, it is best used for long-line applications.

Alkyd - Made from wood-derived resins, a renewable natural resource, which is impervious to oil and diesel fuels.

PUMPER LONGLINER

- Spray or ribbon gun application
- 2 or 4 kettle systems (1500 - 4000 lbs)
- Diesel or LP fired
- Large capacity supply pumps
- Spray guns (oil jacketed) 30-90 mil application
- All controls convenient to operators
- Ribbon gun (oil jacketed) die - variable mil thickness with quick change line width
- All controls convenient to operators
- Automatic material blow back system
- Material Circulation
- Less operator exposure to hot materials

SCREED/EXTRUDE LONGLINER

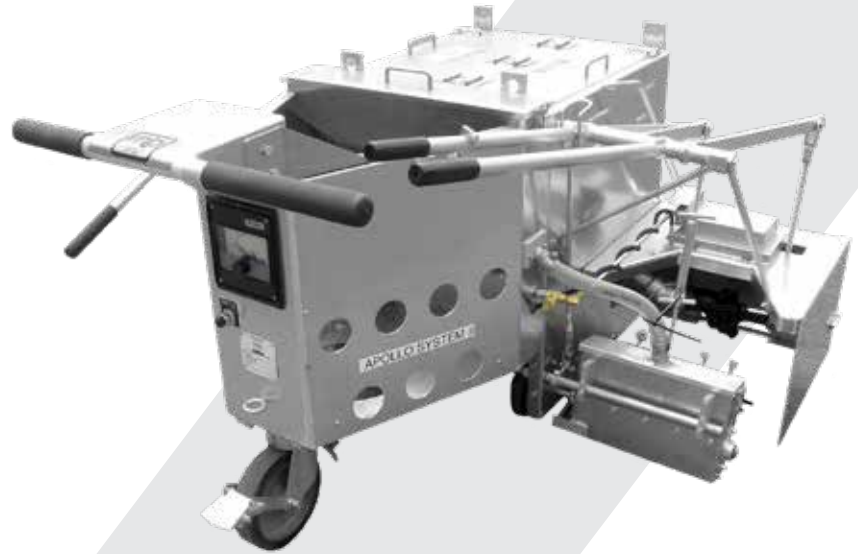
- Gravity flow application
- 2 or 4 kettle systems (1500 - 4000 lbs)
- Diesel or LP fired
- Die line widths 4", 6", and 8" with .090 to .125 mil thickness
- All controls convenient to operators
- Automatic material blow back system
- Material circulation
- Less operator exposure to hot materials
- Profile die box option



THERMOPLASTIC Handliner & Support Systems

An extremely productive unit when used with separate melting kettles. This applicator can melt and apply over 700 square feet of markings in a normal work day, in stand-alone operations.

The unit comes standard with double-ring high-efficiency burners, thermostat control system and metered glass beader. Apollo III is the basic Apollo II unit with the PlusOne Speedmelter Installed.



From **Truck Mounted Melting Systems** to **Trailer Mounted Melting Systems**, MB can provide the perfect solution for **Thermoplastic Melting** operations.

Truck Mounted Melting Systems provide a custom bed configuration with the availability to integrate side lift gates.

Trailer Mounted Melting Systems are designed to optimize Pavement

Marking production with a single dedicated vehicle. The system can be customized with a variety of choices of kettle capabilities, applicators and hoist to match the operators needs.

Thermoplastic Melters are available from 500-4000 pounds and can be either LP or diesel fueled burners.



EPOXY Stripers

Epoxy Pavement Markings offer longer service life on all traffic volumes roads including low, medium, and high. This striping solution offers higher retro-reflectivity levels and has the advantage of being a durable, sprayable material. Achieve the perfect adhesion to both **asphalt and concrete** pavements, while also providing medium resistance to abrasion.

Epoxy applications can provide up to **5 years of service life** on low to mid traffic volume roadways. Moreover, epoxy paints are relatively insensitive to most weather conditions during application. They have the ability to bond and **set on cold and/or wet** road surfaces.



APPLICATION Equipment

MB **specializes in customizing** all offerings.
Some additional options include:

Other Gun Options:

- Graco Paint & Bead Guns
- Epic Gun Elevators
- Binks
- Potters Visigun



Line Control Systems:

- Skip Line
- Epic Solutions



Data Logging Systems:

- Skip Line
- Epic Solutions

Guidance Systems:

- Laser
- Optical Sight
- Hydraulic Pointer
- Limntech GPS Striping Technology





MB Companies
Pavement Marking Division
95 Blessing Drive
Muncy, PA 177156
Phone: 888.323.2900

Aebi Schmidt Group
Marketing and Communications

Technical data is subject to change.
Illustrations are not binding.

Status 06/2019 Copyright © Aebi Schmidt
Holding AG. All rights reserved. Errors and
amendments excepted.

Equipment and products shown in this literature are for demonstration purposes only. Actual products offered for sale may vary in use, design, requirements and safety features. M-B Companies reserves the right to improve our products and make revisions in designs, specifications and standards for equipment without notice and without incurring obligations.

219250 Copyright © ASH-NA. All rights reserved. Errors and amendments excepted.

Form # 0-000

 **aebi schmidt**
group
www.m-bco.com