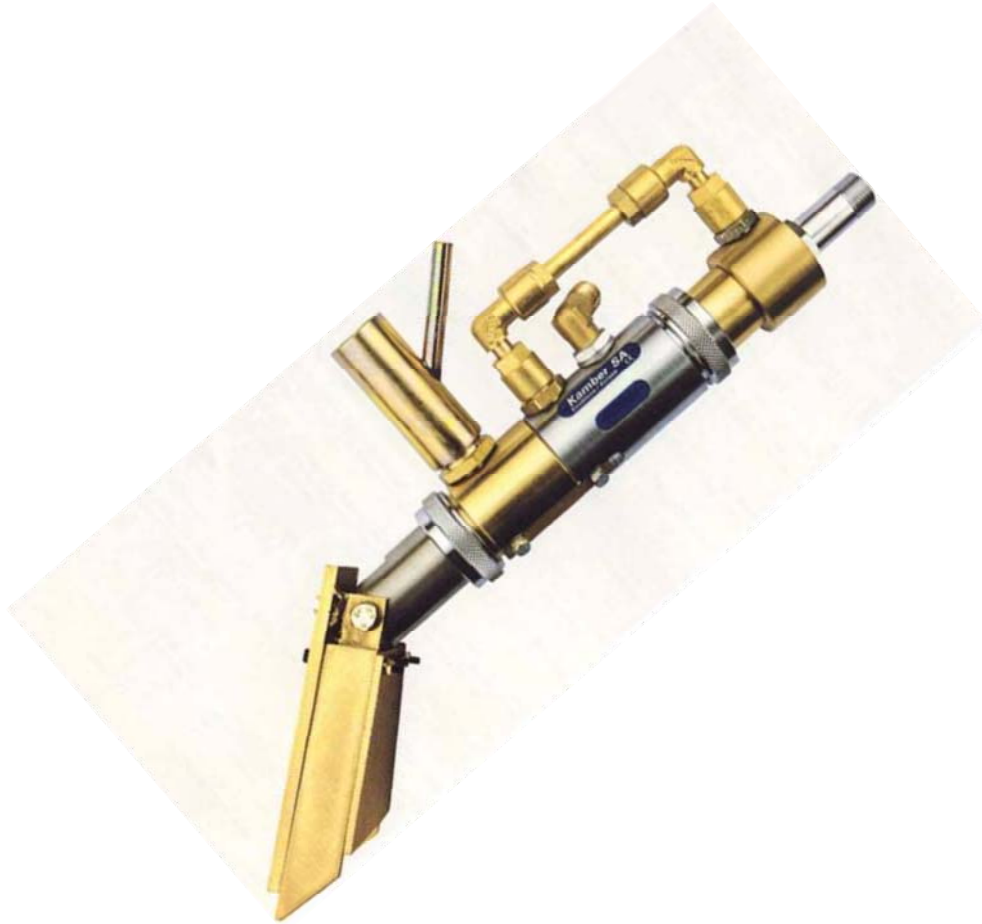




Kamber GLASS GUN

MODEL 90HO



**PRECISION MADE IN SWITZERLAND AND DISTRIBUTED EXCLUSIVELY BY
M-B COMPANIES, INC.
IN NORTH AMERICA**

Pavement Marking Equipment Divisions
Eastern Region
79 Montgomery Street
Montgomery, PA 17752
1-570-547-1621

Western Region
2490 Ewald Avenue SE
Salem, OR 97302
1-503-364-2909

FOR PRICE AND DELIVERY INFORMATION
CONTACT

<p>EAST COAST DAVID KLINGER 1-800-233-8461 EXT 522 FAX 570-547-0619</p>	<p>WEST COAST STEVE CHRISTIE 1-800-253-2909 EXT 311 FAX 503-585-0617</p>
---	--

FOR TECHNICAL SERVICE
1-888-323-2900

CORPORATE HEADQUARTERS
1615 WISCONSIN AVENUE
NEW HOLSTEIN, WI 53061
920-898-4203
920-898-4588 FAX

KAMBER GLASS GUN MODEL 90HO

The Kamber Model 90HO Glass Gun is a high quality, pneumatic glass gun manufactured under the strictest control of material and workmanship, unequaled by any other manufacturer. The gun is designed for road marking application of all standard traffic glass beads. Gun can also be adapted to a non- pressure system by introducing a jet port at the glass inlet, which will cause a “Venturi” effect in the glass line thus resulting in a pressure type bead application.

TECHNICAL DATA:

Separate, non-bleeder, atomizing air system to prevent pulsation.

Pneumatic piston actuation system, independent from atomizing system allows for individual pressure setting for bead delivery and atomizing pressure.

Glass diffuser nozzle provides application closer to the road surface, thus reducing effect of cross winds.

Glass supply – can be either pressurized or gravity flow.

SPECIFICATION: Model 90

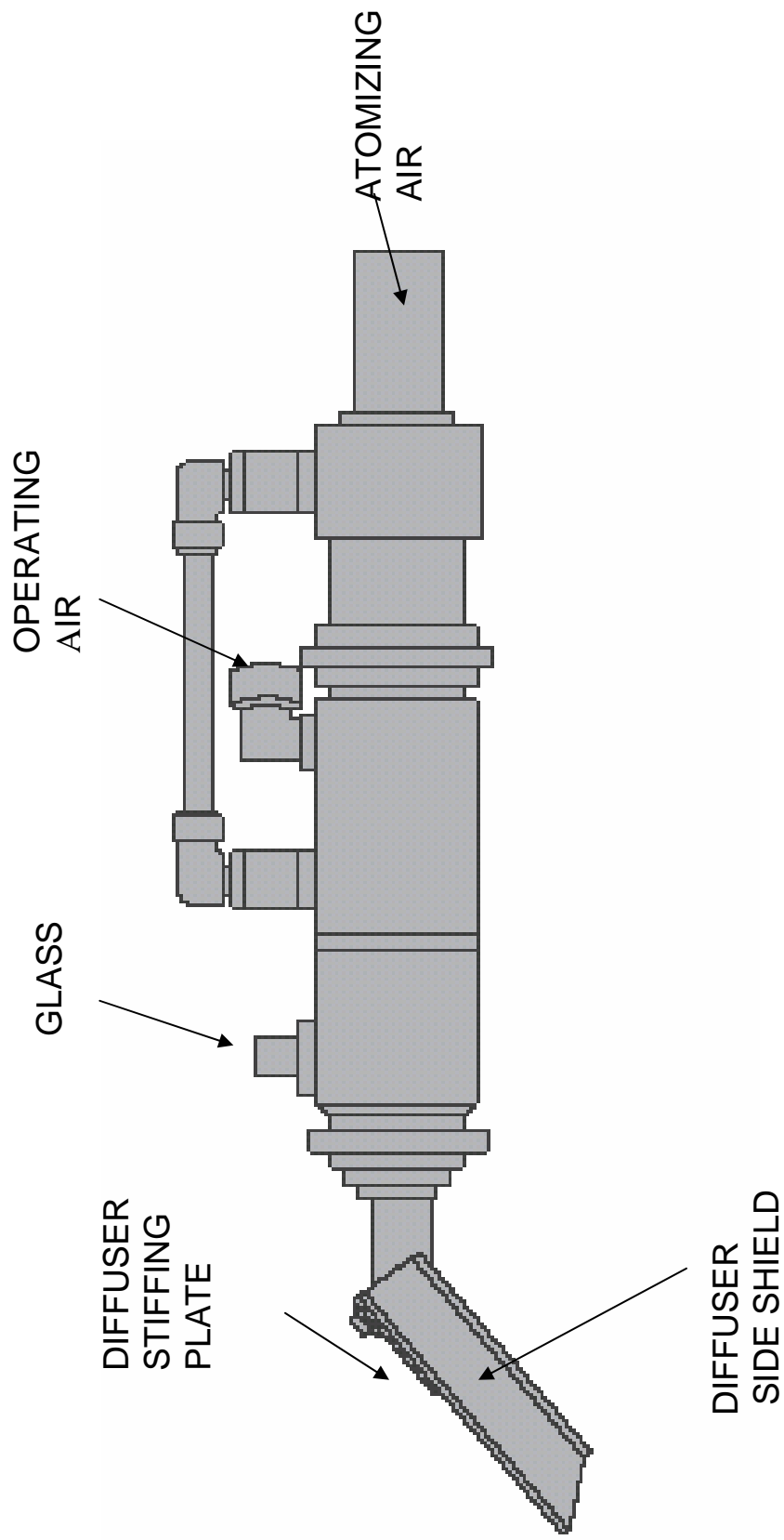
Air Nozzle – 1.5mm
Spray Width – 2” to 9”
Output – 2 to 40 Lb/Min
Air Consumption – 2 to 7 CFM

Material Nozzle Sizes:

#5	4 to 8 MPH
#6	
#7	
#8	8 to 12 MPH
#9	
#10	12 to 20 MPH

Dimension Length – 11 Inches
Width – 3-3/4 Inches
Weight – 4.5 Lbs

WARRANTY: One year on all parts for any fault in manufacturing.



KAMBER 90HO

OPERATING INSTRUCTIONS

1. PISTON PRESSURE

For piston operation – 40 to 80 psi. This pressure is the same pressure used to operate the paint guns.

2. ATOMIZING AIR PRESSURE

The atomizing air pressure is normally 4 to 6 psi. The air pressure is used to fluidize the glass as it leaves the glass gun nozzle into the diffuser and over the paint line. Adjust the air to obtain the best glass distribution.

NOTE: Never operate the gun with the atomizing pressure on “zero”, maintain at least 1 psi to prevent glass from entering the air line.

3. GLASS TANK PRESSURE

The air pressure on the glass tank determines the amount of glass discharged from the gun. Increasing the tank pressure, increases the glass flow, decrease the tank pressure to decrease the glass flow.

NOTE: If the required glass tank air pressure to obtain the correct amount of glass is less than 25 psi, change the tip to a smaller size.

GUN MAINTENANCE

To keep the gun opening, and closing smoothly, (pneumatic piston). Once a week put a few drops of light oil in the operating port or spray with WD-40.

NOTE: NEVER IMMERSSE THE GUN IN PAINT THINNER OR ANY OTHER TYPE OF SOLVENT.

INSTALLATION INSTRUCTIONS

A parts package accompanies every Kamber 90HO glass bead gun. This package includes all the necessary hardware and mounting brackets to complete the installation (**refer to parts check list on the following page).

Similar to all conventional glass bead guns the Kamber 90HO has an inlet for glass bead supply and also for operating air. Hose adapters are enclosed to insure proper connection of gun inlets with most common size hoses and fittings.

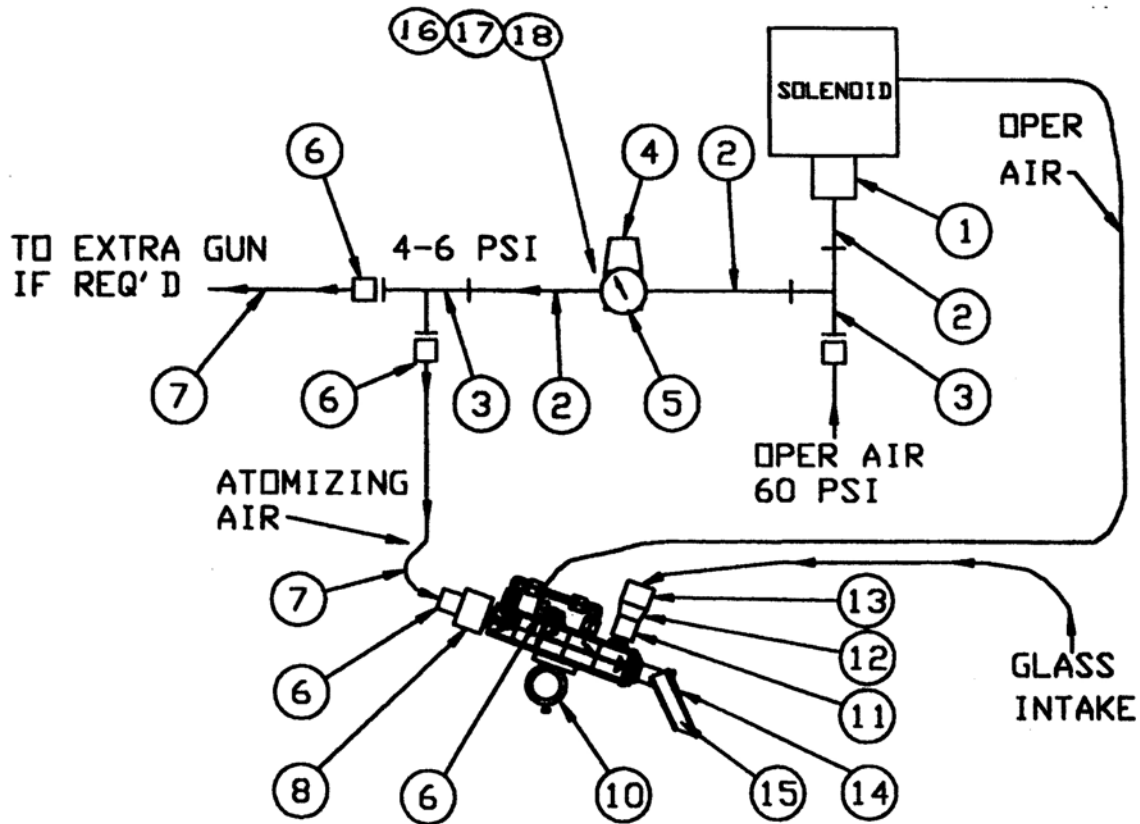
Uncommon to all conventional glass guns the Kamber 90HO offers an additional inlet for atomizing air flow. This atomizing air feature helps to prevent pulsation in bead flow as well as maintain even bead dispersion from the gun diffuser. To insure proper connection of the atomizing air feature, follow the suggested installation steps:

1. Place the enclosed ¼" tee into the main air line supplying the gun solenoids on each respective carriage.
2. At the open end of the ¼" tee, place a nipple and connect the enclosed regulator. (Important: air supply through the regulator must follow the direction of the arrows pre-marked on the back side of the regulator.)
3. Connect the enclosed pressure gauge to the regulator 90° to the inward flow of air.
4. If **installing a single** Kamber 90HO gun, connect a nipple, adapter and 90° ¼" hose connector to one side of the regulator while plugging the unused side.
5. If **installing multiple** Kamber 90HO guns, connect a nipple, adapter and 90° ¼" hose connector to both sides of the regulator and plug any unused inlets. A single regulator can operate a maximum of four (4) Kamber 90HO guns.
6. Connect the remaining adapter and 90° ¼" hose connector to each Kamber 90HO gun atomizing air inlet.
7. Cut proper lengths of enclosed ¼" hose and run between 90° ¼" hose connectors on regulator(s) to similar connector(s) at atomizing inlet of each mounted Kamber 90HO gun.
8. Use the dial on the installed regulator(s) to set the flow of atomizing air to each gun. The recommended atomizing air pressure is between 4 and 8 psi. Once obtaining the proper setting, lock the dial in place with the ring mechanism,

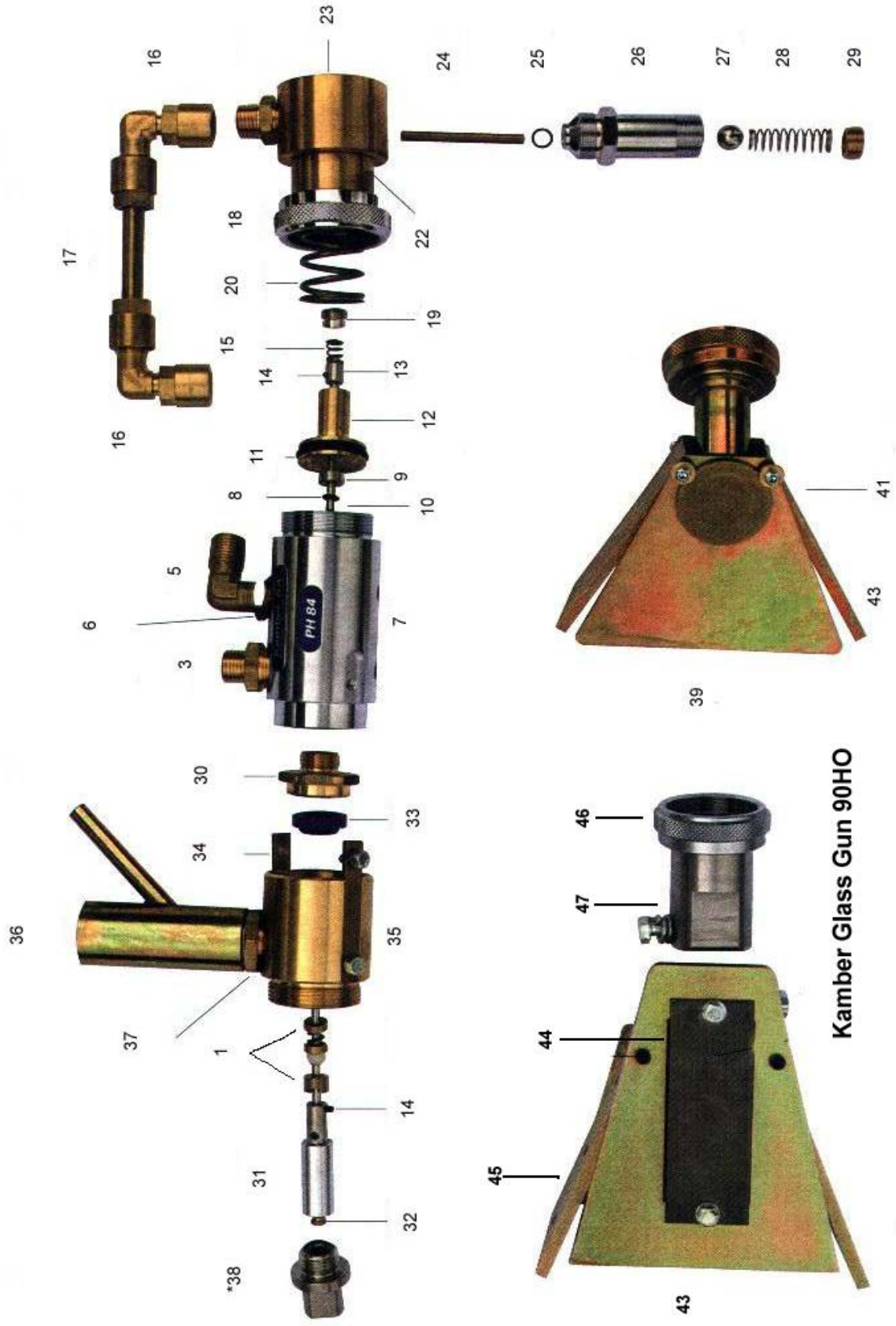
** For illustration of proper Kamber 90HO glass gun installation, refer to diagram on the next page.

PARTS FOR INSTALLATION Kamber 90HO

PART NO. 16, 17 & 18 TO NE USED
WHEN THE AIR REGULATOR - ITEM #4
HAS 1/8" GAUGE PORTS.



ITEM	PART NO	DESCRIPTION	QTY
1	73115503	Bushing, Hex 3/8 to 1/4	1
2	73015309	Nipple Close	3
3	73055103	Tee, 1/4	2
4	7200200	Regulator	1
5	73250406	Gauge 0-15 PSI	1
6	73280909	Elbow 90° for 1/4 OD Tubing	4
7	73280607B	Tubing 1/4 OD (Length as Needed)	1
8	73035503	Coupling, Reducing 3/8 to 1/4	1
9	1120201002	Rod, Gun	1
10	3320201038	Mount, Gun	1
11	73045406	Elbow, 1/2" 45° Street	1
12	73035803	Coupling, Reducing 3/4 to 1/2	1
13	73290304	Adapter, Double Male, 3/4	1
14	66050820	Diffuser Stiffing Plate	1
15	66050821	Diffuser Side Shield	2
16	73015108	Nipple, Close 1/8	1
17	73035301	Coupling, 1/4 x 1/8	2
18	73105101	Plug, Pipe 1/8	1



Kamber Glass Gun 90HO

**KAMBER MODEL 90HO
PNEUMATIC GLASS SPRAY GUN
PARTS LIST**

ITEM NO	PART NO	DESCRIPTION
	66050350	COMPLETE GUN – KAMBER MODEL 90HO
1	66050301	Cap
2	66050017	Needle Packing, Teflon with Spring
2A	66050132	Nut Clamp for Needle Packing
3	66050304	Coupling 3/8" (i) – 1/4" (e)
5	66050306	Elbow, Elbow 90°, 1/4" – 1/4"
6	66050307	Check Nut 1/4"
7	66050305	Body of the Gun
8	66050112	O-Ring for Needle
9	66050122	Nut Clamp for O-Ring
10	66050309	Needle Piston for No. 12
11	66050109	O-Ring for Piston
12	66050108	Piston
13	66050120	Needle Fixing Socket
14	66050026	Check Screw for Needle
15	66050131	Center Spring
16	66050119	Elbow for Coupling Tube No. 17
17	66050310	Coupling Tube
18	66050046	Fixing Nut for Command Support
19	66050117	Cap for Piston No. 12
20	66050140	Piston Spring
21	66050125	Nipple 1/4" to 1/4" for No. 23
22	66050139	Cylinder Cover
23	66050106	Support for Command
24	66050137	Valve Shaft
25	66050130	O-Ring for Valve Body
26	66050136	Valve Body
27	66050311	Stainless Steel Ball Valve
28	66050135	Valve Spring
29	66050127	Nut for Valve Body
30	66050312	Screw Cap for Wiper Holder
31	66050313	Piston, Chrome
32	66050314	Air Nozzle, 1.5mm Dia
33	66050315	Joint for Wiper
34	66050316	Two (2) Fixing Feathers with (4) Screw & Grower Washers
35	66050317	Head of Gun
36	66050318	Injection Tube (Used with Gravity Feed System)
37	66050319	Coupling for Injection Tube No. 37
38A	66050325	#5 Material Nozzle
38B	66050326	#6 Material Nozzle
38C	66050327	#7 Material Nozzle
38D	66050328	#8 Material Nozzle
38E	66050329	#9 Material Nozzle
38F	66050320	#10 Material Nozzle
39	66050321	COMPLETE DIFFUSER (Old Style)
40	3320201038	Gun Mounting (NOT SHOWN)
41	66050076	Diffuser Replacement Plug (Older Guns Parts)
42	66050077	Diffuser Side Shield (Older Guns Parts)
43	66050323	COMPLETE DIFFUSER (NEW STYLE)
44	66050820	Diffuser Stiffing Plate (New Style)
45	66050821	Diffuser Side Shield (New Style)
46	66060046	Fixing Nut for Command Support
47	66050816	Support With Screw to Attach Diffuser

COMMON REPAIR KIT

<u>ITEM#</u>	<u>PART NO</u>	<u>DESCRIPTION</u>
2	66050017	Needle Packing Teflon with Spring
2A	66050132	Nut Clamp for Needle Packing
8	66050112	O-Ring for Needle
9	66050122	Nut Clamp for O-Ring
11	66050109	O-Ring for Piston
14	66050026	Check Screw for Needle M3 x 3mm
15	66050131	Center Spring
25	66050130	O-Ring for Valve Body
33	66050315	Joint for Wiper
41	66050076	Diffuser Replacement Plug



M-B Companies, Inc.

Administration

1615 Wisconsin Avenue
P.O. Box 200
New Holstein, WI 53061
Phone: 800-558-5800
FAX: 920-898-4588

Pavement Marking Equipment Divisions

EAST COAST DIVISION
79 Montgomery Street
Montgomery, PA 17752
Phone: 888-323-2900
FAX: 570-547-1629

WEST COAST DIVISION
2490 Ewald S.E.
Salem, OR 97302
Phone: 800-253-2909
FAX: 503-370-4389

