



Kamber PAINT GUN

MODEL 50A (Airless)



**PRECISION MADE IN SWITZERLAND AND DISTRIBUTED EXCLUSIVELY BY
M-B COMPANIES, INC.
IN NORTH AMERICA**

Pavement Marking Equipment Divisions
Eastern Region
79 Montgomery Street
Montgomery, PA 17752
1-570-547-1621

Western Region
2490 Ewald Avenue SE
Salem, OR 97302
1-503-364-2909



Kamber PAINT GUN MODEL 50A

CONTACTS:
FOR PRICE AND DELIVERY INFORMATION
CONTACT

EAST COAST
DAVID KLINGER
1-800-233-8461 EXT 522
FAX 570-547-0619

WEST COAST
STEVE CHRISTIE
1-800-253-2909 EXT 311
FAX 503-585-0617

FOR TECHNICAL SERVICE
1-888-323-2900

CORPORATE HEADQUARTERS
1615 WISCONSIN AVENUE
NEW HOLSTEIN, WI 53061
920-898-4203
920-898-4588 FAX

WARNING

Before use of this gun it is very important to read the use instructions carefully and follow all directions!

CAUTION

Never aim the gun at a person!

The high pressure jet can penetrate into the skin. If this occurs, seek immediate medical attention

This gun is for use as a road marking implement.

All the circuit elements must work under a pressure at least equal to the pressure produced by the pump.

MAXIMUM USE PRESSURE – 4977 PSI !!!

In order to avoid any explosion and fire dangers, use grounded circuit and avoid contact with all electrical wires.

Use **ONLY** high pressure pipe in circuit use.

Before cleaning the gun, relieve all pressure components to the gun and the pump.

THIS GUN IS TESTED FOR A MAXIMUM PRESSURE OF 7110 PSI

THIS GUN WAS CHECKED BY Kamber to 21330 PSI before shipment

CAUTION: Never soak the gun in solvent !

Thanks to the pneumatic closing with a rapid release, we can warrant a safe closing much faster than all closing with a spring.

No parts of the gun can rust thanks to the high quality of the material used.

TECHNICAL DATA:

Maximum use pressure – 4977 PSI.

Pneumatic opening system – 1/4"

Constant opening pressure - minimum 72.5 PSI

Pneumatic gun closing 1/4" with a constant closing pressure, minimum 72.5 PSI, a safety spring and a rapid release. The rapid release can be suppressed only if the driving valve (3-way) is equipped with a rapid release.

Material connection 3/8"

Field of Operation:

For all machines using pressures higher than 853 PSI material pressure.

MATERIAL NOZZLE:

Material nozzle with an inside diameter of 2.2 MM. With this nozzle, you can saturate all diffusion nozzles.

DIFFUSION NOZZLE:

Available in 1.97 to 19.99 In. Concerning this nozzle output, consult nozzle lists.

PAINT: Use only paint formulated for high pressure spraying.

GUN STATISTICS:

Gun Weight: - 2.96 Lbs

Gun Length – 7.09 Inches

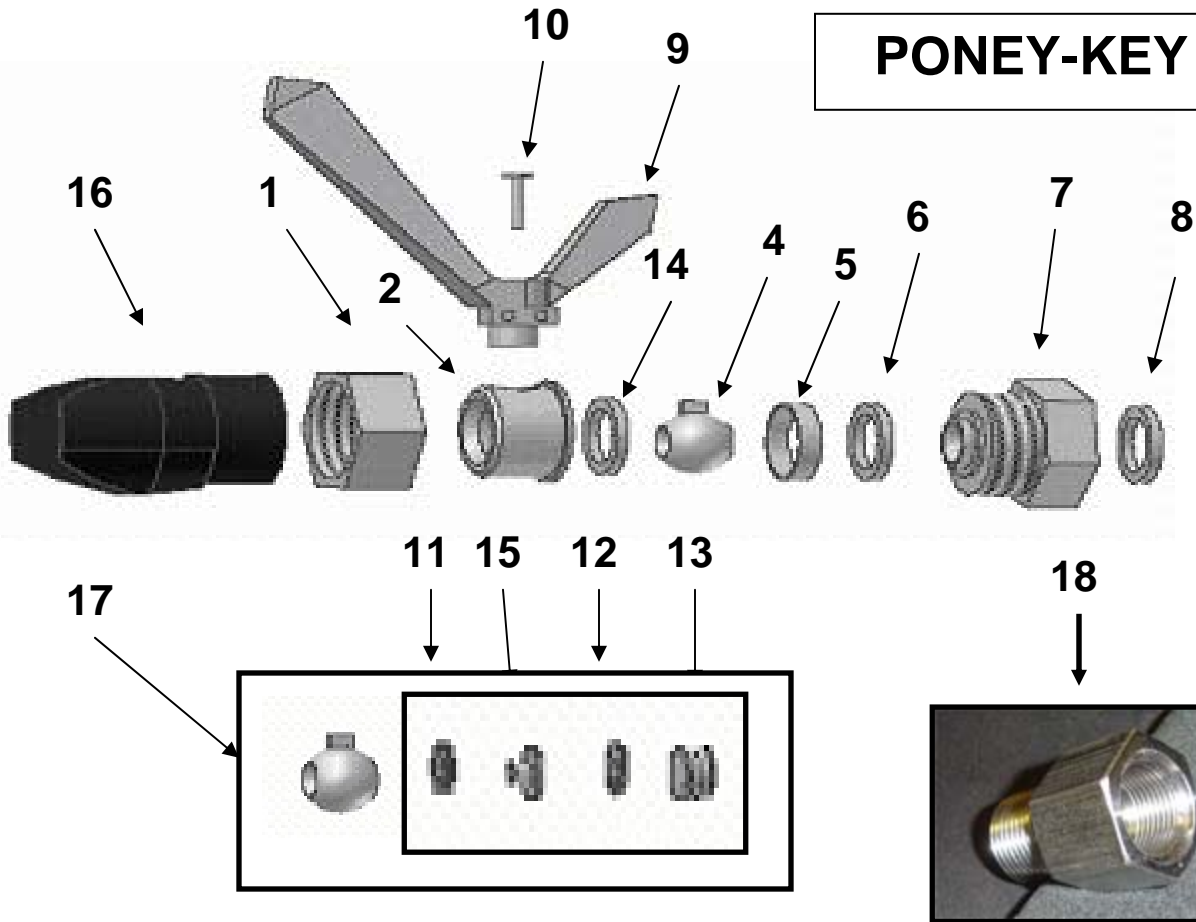
Gun Width – 3.94 Inches



Kamber Model 50A

PART#	DESCRIPTION	PART#	DESCRIPTION
66050351	Complete Gun	66050625	Connect, Air Hose ¼"i-1/4"e
66050026	Check Screw for Needle M3-3	66050108	Piston for 8404
66050046	Fixing Nut	66050109	"O" Ring for Piston
66050122	Fixing Nut Clamp	66050110	Piston Spring
66050605	Rapid Escapement with Silencer	66050112	"O" Ring
66050606	Silencer Alone	66050113	Coupling 3/8"e-3/8"e
66050125	Coupling ¼"e-1/4"e	66050115	Cap for Piston 8403
66050607	Body of the Gun	66050119	90° for Plastic Hose
66050608	Cylinder Cover	66050626	Hard Chrome Needle without Head
66050609	Needle Fixing Socket	66050630	Repair Kit for HP 50 Gun
66050610	Complete Needle Gaskets	66050623	Check Nut ¼"
66050611	Needle Packing Center		AVAILABLE TIPS SIZES
66050612	Connection Air Hose ¼" Specs.	66050687	Size 661
66050613	Exterior Nozzle	66050673	Size 621
66050614	Fixing Nut for Exterior Nozzle 5033	66050674	Size 625
66050615	Nylon Gasket between Material and Exterior Nozzle	66050675	Size 631
		66050676	Size 635
66050616	Reversible Nozzle Key	66050677	Size 541
66050617	Protection for Reversible Nozzle 5034	66050678	Size 645
66050618	Reversible Nozzle Stand	66050679	Size 651
66050619	Gasket for Reversible Nozzle	66050680	Size 655
66050620	Material Nozzle with Hard Metal Socket	66050691	Size 849
66050621	Copper Gasket for Material; Nozzle	66050692	Size 539
66050622	Metal head with Ball in Hard Metal		
66050624	Counter Nut for Needle Head		

PONEY-KEY

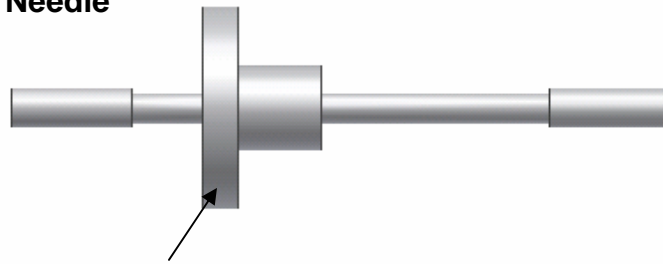


PONEY-KEY PART LIST			
ITEM	PART NO	REFERENCE	DESCRIPTION
	66050650	5037	COMPLETE TIP ASSEMBLY
1	66050651	5037-001	NUT
2	66050652	5037-002	HOUSING
4	66050654	5037-004	BALL
5	66050655	5037-005	SEAL
6	66050656	5037-006	O-RING
7	66050657	5037-007	ADAPTER
8	66050658	5037-008	GASKET
9	66050659	5037-009	LEVER
10	66050660	5037-010	SCREW
11	66050661	5037-011	GASKET
12	66050662	5037-012	SPACER
13	66060663	5037-013	SCREW
14	66050664	5037-014	SEAT
15	66050665	5037-015*	CARBIDE INSERT ASSEMBLY (*SEE CHART FOR SIZE/PART NO)
16	66050686	5037-016	SAFETY GUARD
17	66050687	5037-017*	BALL TIP (ASSEMBLY WITH ITEM 15) (*SEE CHART FOR SIZE/PART NO)
18	66060008		ADAPTER FOR GRACO TIP (Place between Gun Body & Replacement Graco Tip)

SIZE CHART FOR ITEM NO'S 15 AND 17		
ORIFICE SIZE	PART NO	KAMBER REF
661	66050687	5037-017
621	66050673	5037-017
625	66050674	5037-017
631	66050675	5037-017
635	66050676	5037-017
541	66050677	5037-017
645	66050678	5037-017
651	66050679	5037-017
655	66050680	5037-017
849	66050691	5037-017
539	66050692	5037-017

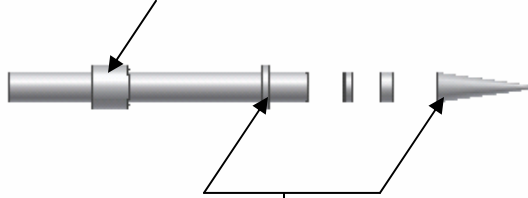
Common Rebuild Kit for Kamber Model 50A- 66050630

66050112- O-Ring for Needle



66050109- O-Ring for Piston

66050611- Packing Center Needle



66050610- Gasket Needle Complete



66050615- Gasket Nylon

66050109- O-Ring for Piston

66050112- O-Ring for Needle

66050610- Gasket Needle Complete

66050611- Packing Center Needle

66050615- Gasket Nylon



M-B Companies, Inc.

Administration

1615 Wisconsin Avenue
P.O. Box 200
New Holstein, WI 53061
Phone: 800-558-5800
FAX: 920-898-4588

Pavement Marking Equipment Divisions

EAST COAST DIVISION
79 Montgomery Street
Montgomery, PA 17752
Phone: 888-323-2900
FAX: 570-547-1629

WEST COAST DIVISION
2490 Ewald S.E.
Salem, OR 97302
Phone: 800-253-2909
FAX: 503-370-4389

