



Kamber PAINT GUN

MODEL 38 (5-10-15)



**PRECISION MADE IN SWITZERLAND AND DISTRIBUTED EXCLUSIVELY BY
M-B COMPANIES, INC.
IN NORTH AMERICA**

Pavement Marking Equipment Divisions	
Eastern Region	Western Region
79 Montgomery Street	2490 Ewald Avenue SE
Montgomery, PA 17752	Salem, OR 97302
1-570-547-1621	1-503-364-2909

FOR PRICE AND DELIVERY INFORMATION
CONTACT

EAST COAST
DAVID KLINGER
1-800-233-8461 EXT 522
FAX 570-547-0619

WEST COAST
STEVE CHRISTIE
1-800-253-2909 EXT 311
FAX 503-585-0617

FOR TECHNICAL SERVICE
1-888-323-2900

CORPORATE HEADQUARTERS
1615 WISCONSIN AVENUE
NEW HOLSTEIN, WI 53061
920-898-4203
920-898-4588 FAX

M-B COMPANIES, INC.
KAMBER PAINT SPRAY GUN
MODEL 38 (5-10-15)

The Kamber Model 38 Spray Gun is a high-quality, pneumatic paint gun, manufactured under the strictest control of materials and workmanship, unequaled by any other manufacturer. The gun is designed for road marking application of all standard traffic paints, including premix. The paint line delineation on the road is excellent and, with most paint, equals that of an airless system.

TECHNICAL DATA

Atomizing air flow (non-bleeder type) with automatic internal valve.

Easily converted to bleeder type

Operating air, atomizing air and flow material are completely separate, with no gaskets used.

Double-barreled air nozzle system is unique, resulting in very low air consumption for the paint output, which does not vary even if the exterior nozzle is worn.

By changing the exterior nozzle, spray width ranging from 2 to 12 inches can be obtained without affecting air consumption.

PAINT

The set of nozzles available allows a precise adaptation of the spray gun to all unusual or special road marking paints, cold or hot, as well as premix.

Effective air consumption at 60psi for material nozzle – 15 to 25 CFM – viscosity 90 to 110 KU.

DIMENSIONS

Length - 8 1/4"

Width - 23 1/4"

Weight - 5 lb,8 oz

WARRANTY

One year on all parts for any fault in manufacturing.

STANDARD PARTS	MODEL 38-5	MODEL 38-10	MODEL 38-15
Material Nozzle	4.5	6.0	6.8
Air Nozzle	6.0	8.0-12	8.9-14
Exterior Nozzle Line Width 4" to 8" Line Width 8 & 9" to 12"	160-2.5 or 10-16-6 190-2.5	12-15-3 or 25-10-18 20-40-2.5	40-10-16 or 42-10-25 #44
Needle	2022-5.0	2022-6.5	2022-7.5
Effective Line Consumption	4-8 CFM @ 40-80 psi	10-20 CFM @ 50-100 psi	15-25 CFM @ 50-100 psi

BASIC AIR NOZZLE

The basic air nozzle determines the air consumption of the gun. For the correct air consumption, the basic nozzle must correspond to the number indicated on the list of nozzles. The number engraved on the nozzle indicates the diameter of the hole. The basic air nozzle does not influence the width of spray, only the external nozzle determines the width.

OPERATING INSTRUCTIONS

1. PRESSURE:

For piston Operation – 60 psi is normal. This pressure is set at the operating air regulator.

2. PRESSURE FOR ATOMIZING AND PAINT:

This gun, due to the special construction of the air nozzle, may operate best with an atomizing pressure equal to, or lower than the pressure in the material tank or in the low pressure pumps.

The lower air pressure for atomizing, compared to the paint pressure, will still achieve a flat or even line, the larger the effective output of the gun. If the paint is thicker than normal, the atomizing air must be higher than the paint pressure.

SIZE SELECTION

1. HOSE SELECTION:

A. Operating Air Hose:

Use a 5/16" or 3/8" air hose and connect to the opening port of the paint gun (UPPER SMALLER 1/4" PORT).

B. Atomizing Air Hose:

Use a 3/8" air hose minimum and connect to the atomizing port of the paint gun (UPPER LARGER 3/8" PORT).

NOTE: **DO NOT INVERT A & B**

C. Paint Hose:

For intermediate machines the paint hose should be 3/8" to 1/2".
For large machines the paint hose should be 1/2" to 3/4".

NOTE: For greater paint output, the larger paint hose should be used. With the same pressure in the paint tank, 30% more output can be obtained by using 3/4" paint hose instead of 1/2" hose.

Connect to the paint port of the paint gun (LOWER PORT).

2. NOZZLE SIZE SELECTION:

The size of the machine and the speed of operation, determines the size of Kamber Spray Gun, material and air nozzle that will insure the best performance.

MODEL 38-5	Designed for intermediate size machines operating at speeds of 4 to 8 MPH.
MODEL 38-10	Designed for truck mounted machines operating at speeds of 6 to 12 MPH.
MODEL 38-15	Designed for truck mounted machines operating at speeds of 10 to 16 MPH.

Before choosing the set of nozzles for the spray gun, compare the effective output of the compressor on the machine with the consumption for each size nozzle.

The nozzles described on the following page are standard parts for average viscosity material and speeds. For additional information regarding special applications, please contact you Lafarge Road Marking representative.

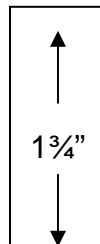
KAMBER MODEL 38 PAINT GUN LINE WIDTH CHART

GUN MODEL	LINE WIDTH	NOZZLE NUMBER	GUN EXTERIOR NOZZLE HEIGHT FROM ROAD	
38-5	4"	160-2.5 or 10-16-9	3 ½"	
	6"	160-2.5	5"	
	8"	160-2.5	7"	
	8"	190-2.5	5"	
	10"	190-2.5	6 ½"	
	12"	190-2.5	8"	
38-10	4"	12-15-3 or 25-10-18	3"	
	6"	12-15-3	4"	
	8"	12-15-3	5"	
	8"	20-40-2.5	4 ½"	
	10"	20-40-2.5	6"	
	12"	20-40-2.5	7 ½"	
38-15	4"	40-10-16 OR 42-10-25	With Shroud	Without Shroud
	6"		2 ½"	3"
	8"		4"	4 ½"
	8"	#44	5 ¾"	6"
	10"		5"	
	12"		6"	
			7 ½"	

NOTE: Height of gun may vary from chart depending on paint pressure and atomizing pressure.



KAMBER SHROUD #3310201005



GUN MAINTENANCE

The gun is delivered ready to use. Once a year, fill with grease, the gun's center section. It is recommended that the special protective cover boot be reinstalled on the gun after maintenance to protect the gun's valve parts from glass spheres.

MATERIAL NOZZLES

Always tighten material nozzle with a wrench prior to use.

NEEDLE GASKETS

The needle packing is of highly resistant Teflon material and can be expected to last an entire season. With the special key provided with the gun, tightening or loosening of the needle gaskets is accomplished without disassembling the gun.

MOVEMENT OF THE GUN (PNEUMATIC PISTON)

Never dip the gun in thinner or any other solvent. Once a week, put a few drops of oil in the upper smaller operating air port.

CLEANING THE PAINT PASSAGE IN THE GUN

VERY IMPORTANT: ALWAYS REMOVE THE EXTERIOR NOZZLE (slot nozzle).

For flushing of the paint passage of the gun, always remove the exterior nozzle (slot nozzle, otherwise the paint may be forced back into the air system of the gun. Maximum flushing pressure is 15 to 30 psi.

FLUSHING OF THE ATOMIZING PASSAGE OF THE GUN

BLEEDER GUN: Solvent may be flushed through the atomizing port of the paint gun while machine is in motion by using a 3-way air and solvent flushing valve.

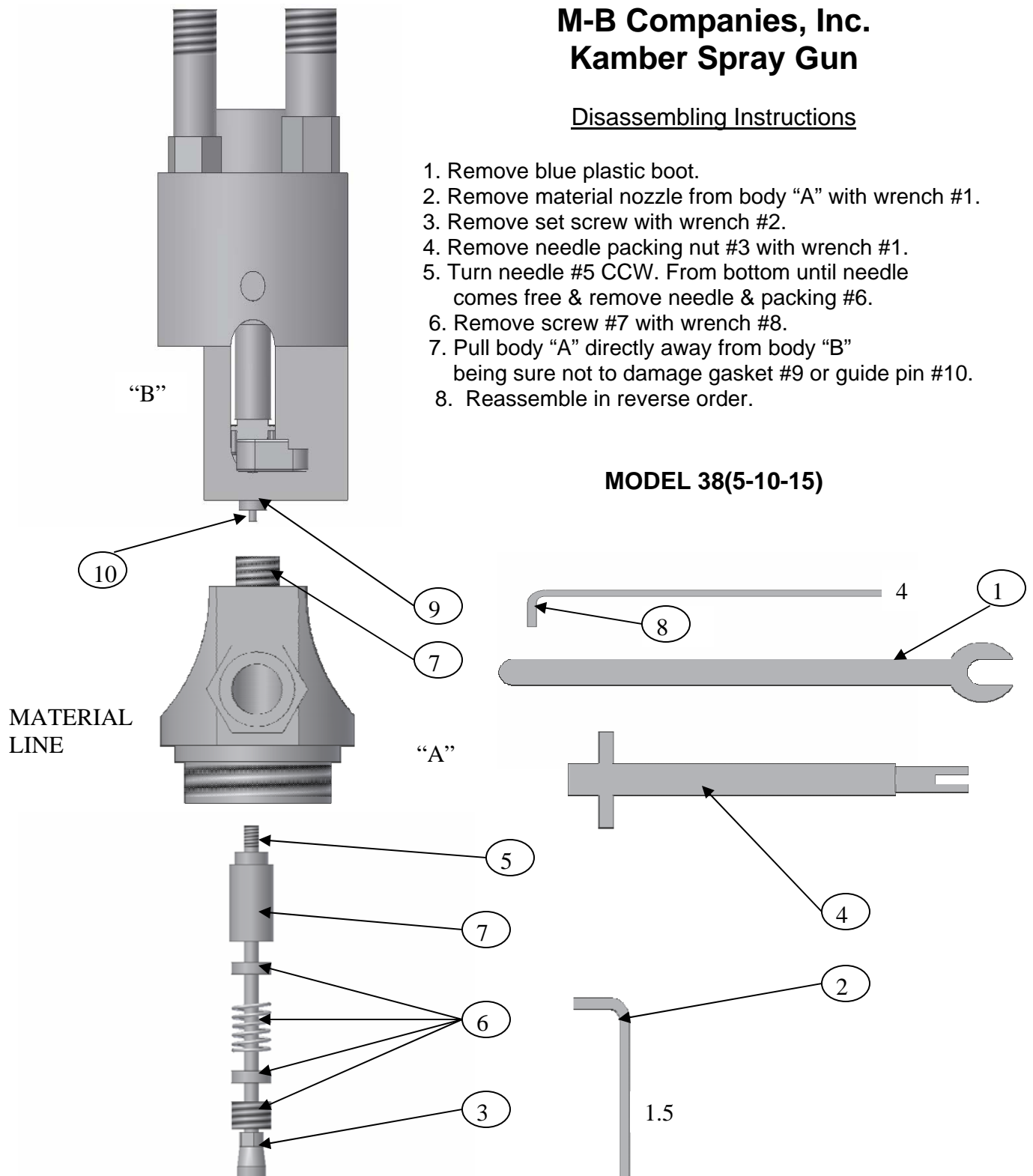
NON-BLEEDER GUN: The paint line to the gun must be shut off, the gun turned on, and then the solvent may be flushed through the atomizing port of the gun.

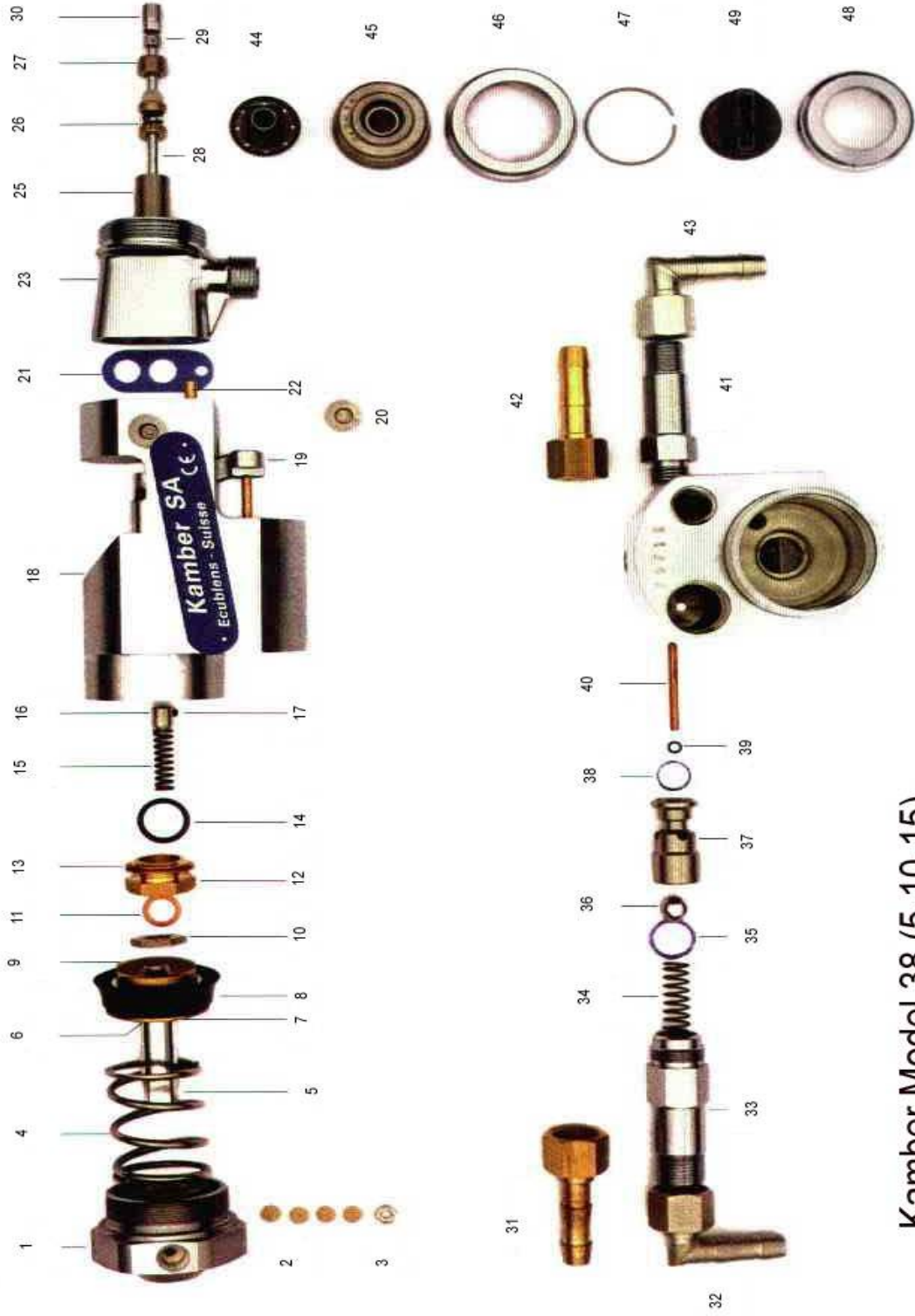
ATOMIZING AIR

M-B Companies, Inc. Kamber Spray Gun

Disassembling Instructions

1. Remove blue plastic boot.
2. Remove material nozzle from body "A" with wrench #1.
3. Remove set screw with wrench #2.
4. Remove needle packing nut #3 with wrench #1.
5. Turn needle #5 CCW. From bottom until needle comes free & remove needle & packing #6.
6. Remove screw #7 with wrench #8.
7. Pull body "A" directly away from body "B" being sure not to damage gasket #9 or guide pin #10.
8. Reassemble in reverse order.





Kamber Model 38 (5-10-15)

50



51/52



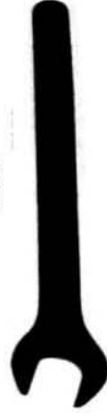
53



59



54/55



Kamber Model 38 (5-10-15)

PNEUMATIC PAINT SPRAY GUN
REPLACEMENT PARTS LIST
MODEL 38 (5-10-15)

ITEM #	PART NO.	DESCRIPTION
	66050002	38-5 Spray Gun Complete (Medium Machine)
	66050003	38-10 Spray Gun Complete (Large Machine)
	66050104	38-15 Spray Gun Complete (Large Machine)
1	66050037	Cylinder, Cut-off
2	66050020	Filter
3	66050018	Ring, Graphite
4	66050029	Valve Spring
5	66050038	Guide, Piston, Hard Chrome
6	66050023	Ring, Nylon
7	66050039	Ring, Check for Piston Spring
8	66050019	U-Cup, Gaco
9	66050040	Nut, Check
10	66050042	Nut, Counter, SST
11	66050051	Gasket, Copper on Valve Guide
12	66050036	Nut for Center Lever Arm
13	66050052	Gasket, Copper
14	66050022	O-Ring
15	66050044	Spring, Center Needle
16	66050034	Socket, Needle Fixing with Screw
17	66050026	Screw, Check
18	66050032	Body, Gun
19	66050033	Lever Arm
20	66050050	Cap
21	66050021	Gasket, Nylon
22	66050054	Guide for Head of Gun
23	66050045	Gun Head with Screw
24	66050083	Connection, Material (not in system)
25	66050055	Screw, SST
26	66050220	Gasket, Teflon with Spring
27	66050221	Nut, Packing for Needle
28	66050010	Needle
* *29	66050629	Nut, Counter, Alone (part of hard chrome needle – see next page)
* *30	66050084	Head, Needle, Hard Chrome (part of hard chrome needle – see next page)
31	66050081	Connection
32	66050082	Connection
33	66050028	Connection, Air Intake
34	66050030	Spring Valve
35	66050024	Ring, Nylon
36	66050043	Ring, Valve, SST
37	66050035	Body Valve O-Ring

38	66050025	O-Ring
39	66050375	O-Ring for Valve Body
40	66050041	Guide, Valve
41	66050027	Connection, Air Intake
42	66050079	Connection, Air Hose
43	66050038	Guide, Piston Hard Chrome
44		Material Nozzle (Indicate Size & Item # from Chart)
45		Nozzle Air Basic (Indicate Size & Item # from Chart)
46	66050046	Nut Fixing, Basic Air Nozzle
47	66050056	Check Ring for Air Nozzle
48	66050049	Nut, Fixing for Exterior Nozzle
49		Nozzle, External SST Indicate Item & Size from Chart
50	66050073	Cover Boot
51	66050048	Key to Tighten the Needle Packing Nut (Thick) (5&10)
52	66050148	Key to Tighten the Needle Packing Nut (Thin) (15)
53		Wrench 1.5mm (Small)
54	66050217	Wrench 12mm (5)
55	66050218	Wrench 13mm (10&15)
56	1120201002	Rod, Gun Mount
57	3320201021	Mount for Gun
58	73290421	Adapter 3/8" x 1/4"
59	3310201005	Shroud

	ITEM #	PART #	DESCRIPTION
38-5	30	66050070	Hard Chrome Needle 5.0 **
	44	66050068	Material Nozzle 4.5
	45	66050069	Basic Air Nozzle 6.0
38-10	30	66050010	Hard Chrome Needle 6.5 **
	44	66050011	Material Nozzle 6.0
	45	66050012	Basic Air Nozzle 8.0-12
38-15	30	66050063	Hard Chrome Needle 7.5 **
	44	66050065	Material Nozzle 6.8
	45	66050064	Basic Air Nozzle 8.9-14

KAMBER 38 GUN

(5-10-15)

EXTERIOR NOZZLES

ITEM NO	PART NO	DESCRIPTION
49	66050007	110-2
49	66050058	160-2 OR 8.18-2
49	66050061	160-2.5
49	66050014	10-15-2.5
49	66050013	12-15-3 OR 25-10-18 (38-10) CAN BE USED ON 38-15
49	66050015	25-30
49	66050016	20-40-2.5
49	66050057	50-2.5
49	66050071	190-2
49	66050072	190-2.5
49	66050062	300-2 OR 23-20-40
49	66050066	175-3.5 OR 41-14-25
49	66050067	40-10-16
49	66050074	42-10-25 (38-15 External Nozzle)
49	66050059	#44

SPARE PARTS KIT
PNEUMATIC PAINT SPRAY GUN
MODEL 38 (5-10-15)

ITEM #	PART #	DESCRIPTION
	66050008*	Repair Kit – Common Repairs
	66050009	Repair Kit – Complete with Socket
*2	66050020	7mm Diameter Filter (4 Pcs) Netting Filter
*3	66050018	Ring Graphite for Guide Valve
4	66050029	Spring, Piston
*6	66050023	Gasket, Nylon (for Guide Valve between 5 & 7)
*8	66050019	O-Ring Gaco
11	66050051	Gasket Copper (on Guide Valve, Between 10 & 19)
12	66050036	Nut, 12mm for Center Lever Arm
*13	66050052	Gasket, Copper (2 pcs Between 12 and Body)
*14	66050022	O-Ring for Center Lever Arm
15	66050044	Spring, Center Needle
*17	66050026	Screw, Check for Needle M3-3
20	66050050	Cap
*21	66050021	Gasket, Nylon (between the Body and Head)
*22	66050054	Guide for Head of Gun
25	66050055	Screw, SST to Fasten Head to Gun
*26	66050220	Needle Packing, Complete Teflon, Graphite
*27	66050221	Nut, Needle Packing
34	66050030	Spring, Valve
*35	66050024	Ring, Nylon, Between 33 and 37
36	66050043	Valve Ball, 10mm Diameter Stainless Steel
*38	66050025	O-Ring for Valve Ball #34
40	66050041	Guide Valve 34mm Long

- (*) These part **ONLY** are included in the COMMON REPAIR KIT
- All Parts on page are included in COMPLETE REPAIR KIT

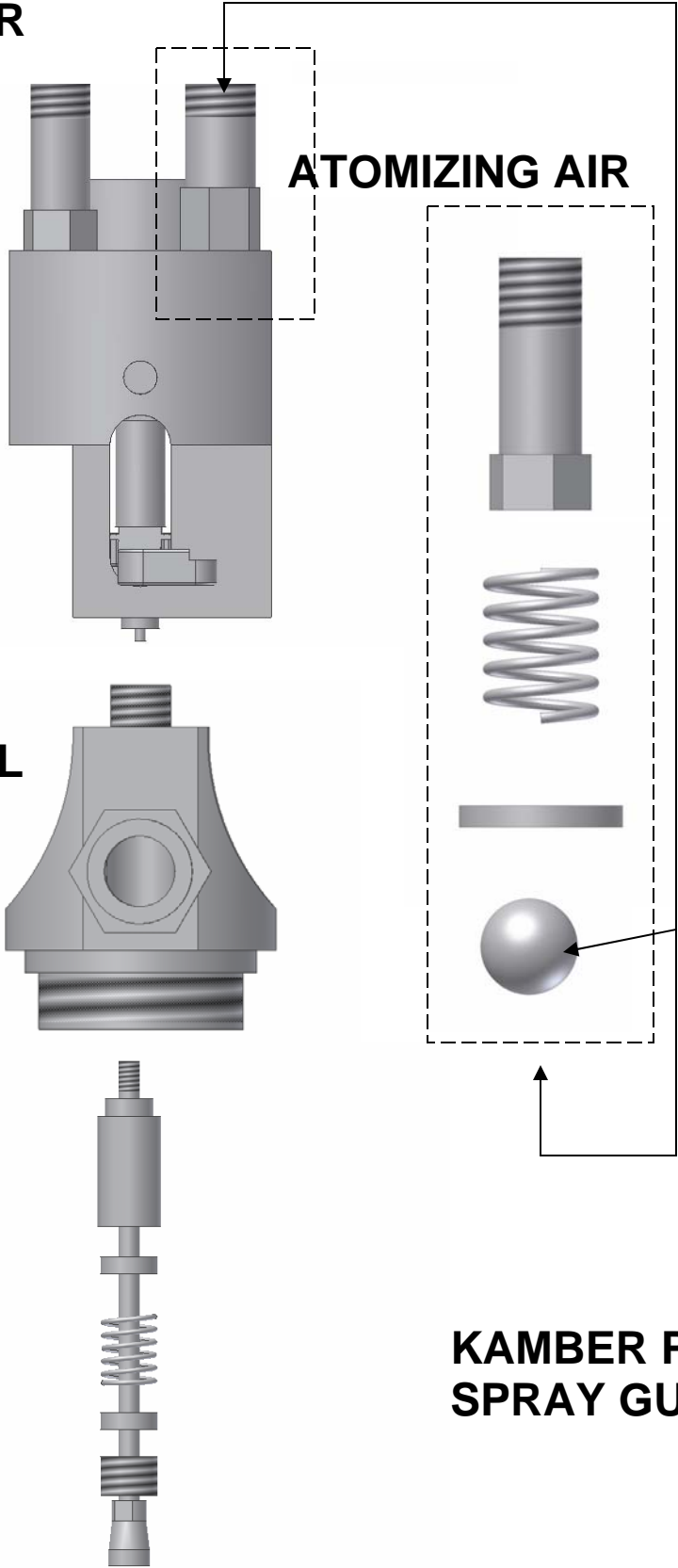
**OPERATING
AIR**

ATOMIZING AIR

**MATERIAL
LINE**

**TO CHANGE TO
BLEEDER GUN
REMOVE BALL CHECK
OR
INSTALL FOR
NON-BLEEDER**

**KAMBER PAINT
SPRAY GUN 38-5-10-15**





M-B Companies, Inc.

Administration

1615 Wisconsin Avenue
P.O. Box 200
New Holstein, WI 53061
Phone: 800-558-5800
FAX: 920-898-4588

Pavement Marking Equipment Divisions

EAST COAST DIVISION
79 Montgomery Street
Montgomery, PA 17752
Phone: 888-323-2900
FAX: 570-547-1629

WEST COAST DIVISION
2490 Ewald S.E.
Salem, OR 97302
Phone: 800-253-2909
FAX: 503-370-4389

