



Kamber PAINT GUN MODEL 84



PRECISION MADE IN SWITZERLAND AND DISTRIBUTED BY
M-B COMPANIES, INC.
IN NORTH AMERICA

M-B COMPANIES, INC.

Pavement Marking Equipment Divisions

Eastern Region
79 Montgomery Street
Montgomery, PA 17752
1-570-547-1621

Western Region
2490 Ewald Avenue SE
Salem, OR 97302
1-503-364-2909



QUALITY YOU CAN SEE
PEOPLE YOU CAN TRUST™

M-B COMPANIES, INC.



M-B Companies, Inc.

Administration

1615 Wisconsin Avenue
P.O. Box 200
New Holstein, WI 53061
Phone: 800-558-5800
FAX: 920-898-4588

Pavement Marking Equipment Divisions

EAST COAST DIVISION
79 Montgomery Street
Montgomery, PA 17752
Phone: 888-323-2900
FAX: 570-547-1629

WEST COAST DIVISION
2490 Ewald S.E.
Salem, OR 97302
Phone: 800-253-2909
FAX: 503-370-4389

FOR PRICE AND DELIVERY INFORMATION
CONTACT

EAST COAST
DAVID KLINGER
1-800-233-8461 EXT 522
FAX 570-547-0619

WEST COAST
STEVE CHRISTIE
1-800-253-2909 EXT 311
FAX 503-585-0617

FOR TECHNICAL SERVICE
1-888-323-2900

CORPORATE HEADQUARTERS
1615 WISCONSIN AVENUE
NEW HOLSTEIN, WI 53061
920-898-4203
920-898-4588 FAX

M-B COMPANIES, INC.
Kamber Model 84
Paint Spray Gun

The Kamber Model 84 Spray Gun is a high-quality, pneumatic paint gun, manufactured under the strictest control of materials and workmanship, unequaled by any other manufacturer. The gun is designed for road marking application of all standard traffic paints, including premix. The paint line delineation on the road is excellent and, equals that of an airless system. The Kamber Model 84 can be easily converted from a bleeder to a non-bleeder gun.

TECHNICAL DATA:

Separate air system with automatic valve.

Separate pneumatic piston system.

Separate material nozzle.

Needle is not exposed to road dirt and paint spray.

The precise closure of the material nozzle guarantees a clean and positive closing, even with paint having silica or other coarse filling material.

2-Part precision nozzle system: basal air nozzle for air consumption; exterior nozzle for spraying with.

MATERIAL NOZZLE:

2.8 mm diameter opening.

PAINT SUPPLY:

By means of pressurized paint tanks or a low pressure pump.

Effective air consumption at 50 psi for material nozzle:
2.8mm dia. = 3 to 6 CFM.

AIR PRESSURE:

Operating Air	40 to 80 psi
Atomizing Air	20 to 70 psi

DEMENTIONS:

Length	7 inches
Width	3 inches
Weight	3 pounds

WARRANTY:

One year on all parts for any fault in manufacturing.

BASIC AIR NOZZLE:

The basic air nozzle determines the air consumption of the gun. The number engraved on the nozzle indicates the diameter of the hole. The basic air nozzle does not influence the width of spray, only the external nozzle determines the width at the height of the gun from the road surface. Raise the gun for a wider line.

OPERATING INSTRUCTIONS

1. PRESSURE:

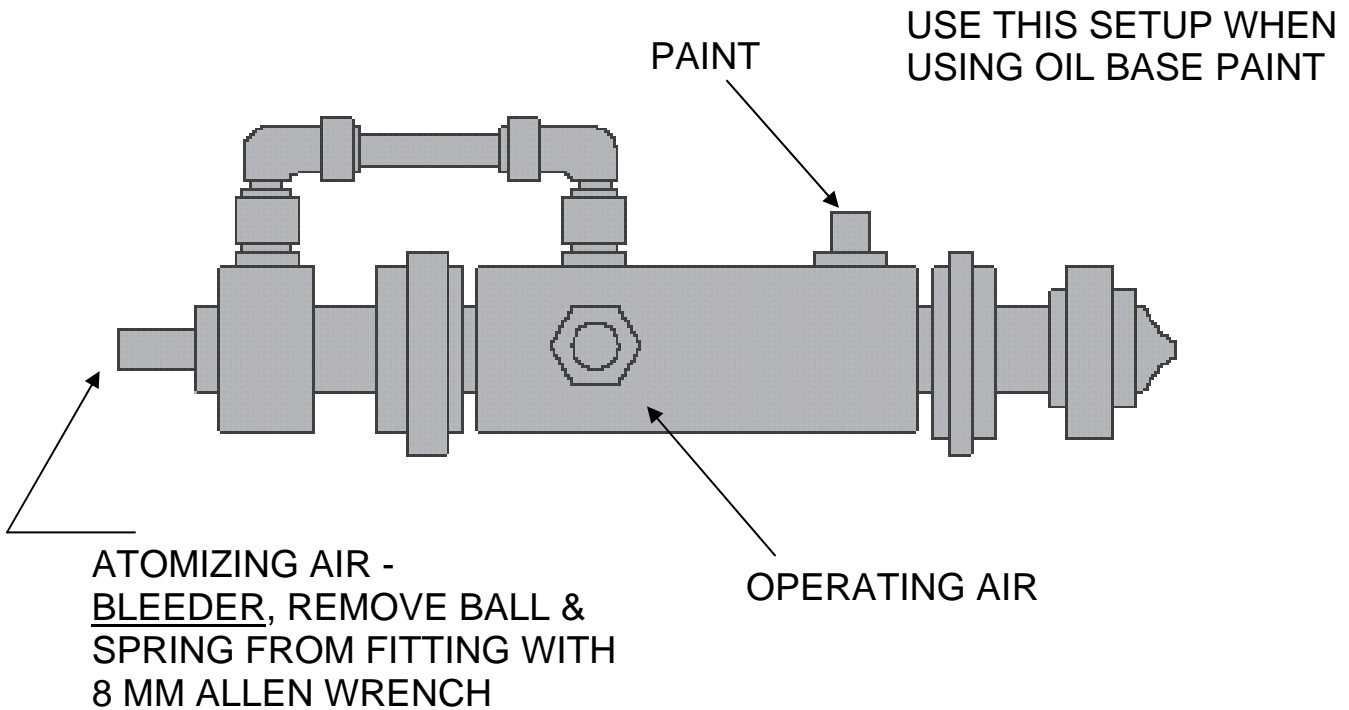
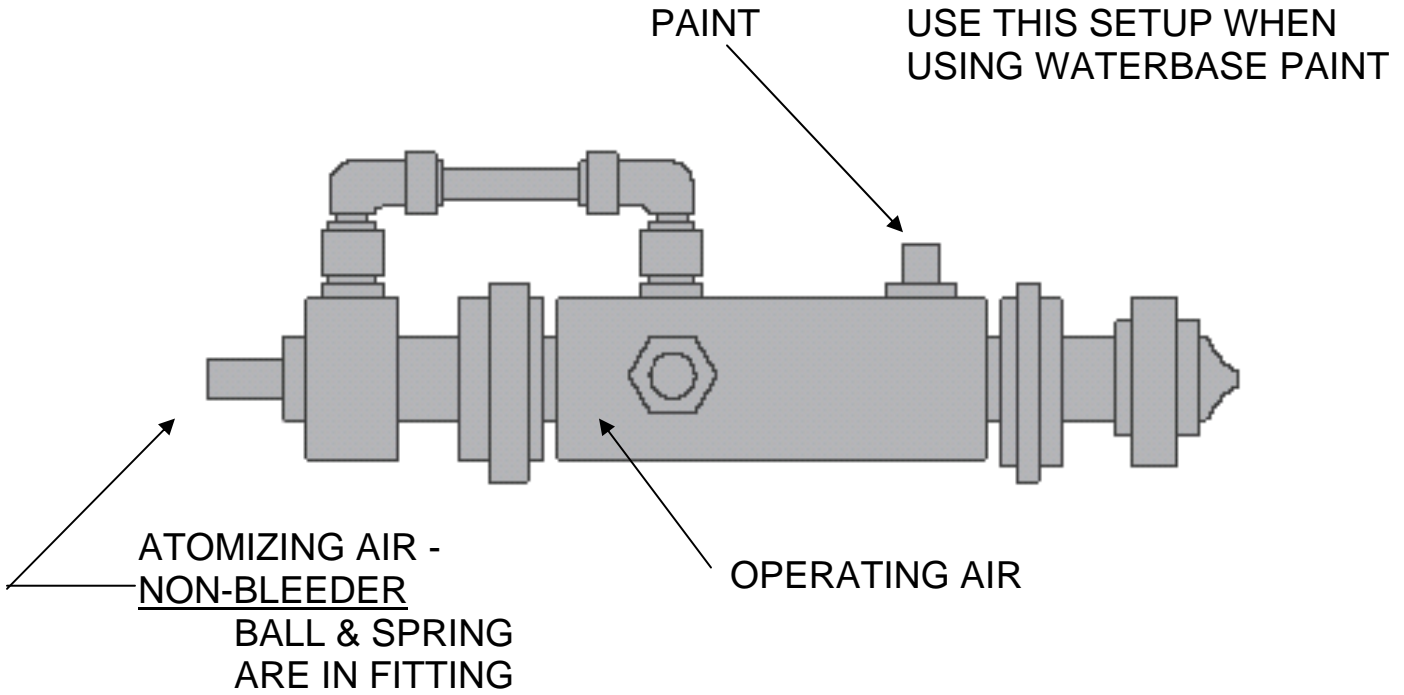
For Piston Operation – 40 to 80 psi. This pressure is determined by compressor output. No adjustment is necessary.

2. PRESSURE FOR ATOMIZING AND PAINT:

This gun, due to the special construction of the air nozzle, may operate best with an atomizing pressure equal to, or lower than the pressure in the material tank or in the low pressure pumps.

The lower the air pressure for atomizing, compared to the paint pressure and still achieve a flat or even line, the larger the effective output of the gun. If the paint is thicker than normal, the atomizing air must be higher than the paint pressure.

CONVERTING KAMBER MODEL 84 SPRAY GUN NON-BLEEDER TO BLEEDER



GUN MAINTENANCE

MATERIAL NOZZLE:

Always tighten material nozzle with a wrench prior to use.

MOVEMENT OF THE GUN:

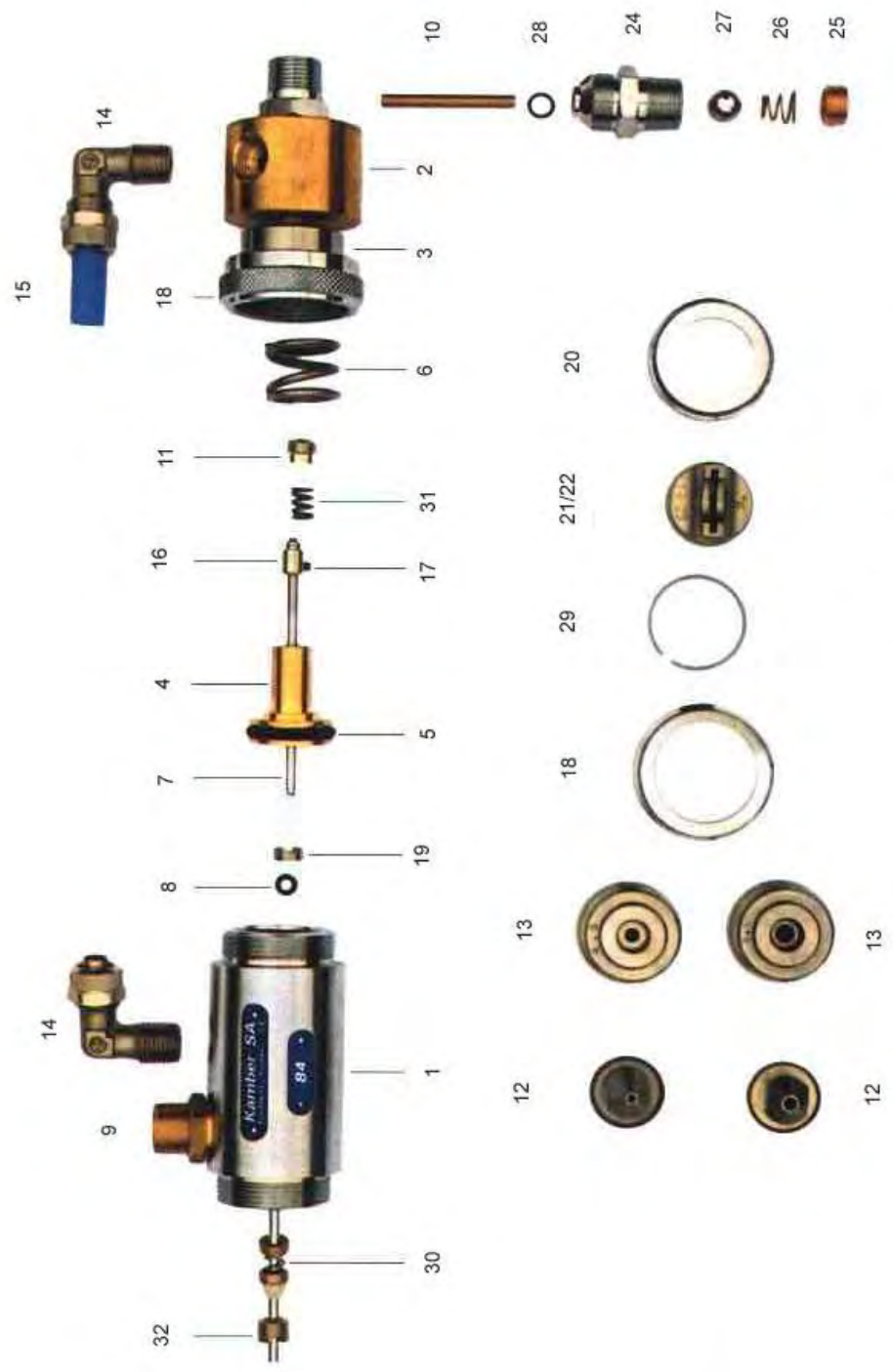
Never dip the gun in thinner or in any other solvent. Once a week put a few drops of oil in the connection (cylinder side).

CLEANING THE PAINT PASSAGE IN THE GUN:

VERY IMPORTANT: After gun is used, for flushing of the paint passage of the gun, always remove the exterior nozzle (slot nozzle) to clean.

FLUSHING OF THE ATOMIZING PASSAGE OF THE GUN:

The paint line of the gun must be shut off, the gun turned on, and then solvent maybe flushed through the atomizing port of the gun.



Kamber Model 84

REPLACEMENT PARTS LIST
PNEUMATIC PAINT SPRAY GUN
MODEL 84

ITEM #	PART NO.	DESCRIPTION
	66050103	COMPLETE GUN
1	66050105	BODY OF GUN
2	66050106	SUPPORT VALVE
3	66050107	CYLINDER COVER
4	66050108	PISTON
5	66050109	O-RING FOR PISTON
6	66050110	PISTON SPRING
7	66050111	NOZZLE NEEDLE HARD CHROMED 3.1MM
8	66050112	O-RING FOR NEEDLE
9	66050113	MATERIAL CONNECTION 3/8" TO 3/8"
10	66050114	VALVE SHAFT, LENGTH 39.5MM
11	66050115	SEALING PLUG FOR PISTON 8403
12	66050116	MATERIAL NOZZLE-ALWAYS INDICATE SIZE 3.0
13	66050117	BASEL AIR NOZZLE-ALWAYS INDICATE SIZE 4.2
14	66050152	ELBOW 90° AND NUT
15	66050153	CONNECTING TUBE (BLUE)
16	66050120	SS BUSHING F/ATTACHING NEEDLE
17	66050026	LOCKING SCREW F/ATTACHING 2004 BUSHING
18	66050046	BASEL AIR NOZZLE RING
19	66050122	STUFFING BOX FOR O-RING 8407
20	66050049	EXTERNAL NOZZLE RING
21	66050123	SS EXTERNAL NOZZLE (ALWAYS INDICATE NO.2-818)
23	66050125	AIR CONNECTOR ¼" TO ¼"
22	66050062	HARD METAL EXTERIOR NOZZLE – 23-20-40
24	66050126	VALVE BODY
25	66050127	SEALING SCREW FOR VALVE BODY
26	66050128	SPRING FOR VALVE BODY
27	66050129	NYLON VALVE BALL
28	66050130	O-RING FOR VALVE BODY
29	66050056	CHECK RING FOR AIR NOZZLE
30	66050017	TEFLON NEEDLE PACKING W/SPRING PRESSURE
31	66050131	NEEDLE SPRING
32	66050132	STUFFING BOX F/NEEDLE PACKING 8058
33	73280421	ADAPTER
34	3320201038	MOUNT
35	66050090	WRENCH – 8MM

REPLACEMENT PARTS LIST
PNEUMATIC PAINT SPRAY GUN
MODEL 84

The following is a list of parts that will wear with normal use of the equipment or parts that are essential to the operation of the paint gun should a failure occur. The items on this list are **NOT** included in the purchase price of the road striper.

The list is added to the operation manual for convenience of the purchaser should you choose to purchase some of the suggested spare parts. (Parts are F.O.B., Montgomery, Pennsylvania) There is a \$25.00 minimum order on parts.

Due to the present economy of rapidly increasing cost, prices are subject to change without notice, so it is recommended that you call 1-800-233-8461 or write for current prices at time for purchase.

SIMPLE REPAIR KIT

ITEM #	PART NO.	DESCRIPTION	
	66050133	SIMPLE REPAIR KIT (COMPLETE)	1
5	66050109	O-RING FOR PISTON	1
8	66050112	O-RING FOR NEEDLE	1
17	66050121	LOCKING SCREW F/NEEDLE BUSHING 2004	1
19	66050122	STUFFING BOX FOR O-RING 8407	1
28	66050130	O-RING FOR VALVE BODY	1
30	66050017	TEFLON NEEDLE PACKING W/SPRING PRESSURE	1
31	66040131	NEEDLE SPRING	1
32	66050132	STUFFING BOX F/NEEDLE PACKING 8058	1



M-B Companies, Inc.

Administration

1615 Wisconsin Avenue
P.O. Box 200
New Holstein, WI 53061
Phone: 800-558-5800
FAX: 920-898-4588

Pavement Marking Equipment Divisions

EAST COAST DIVISION
79 Montgomery Street
Montgomery, PA 17752
Phone: 888-323-2900
FAX: 570-547-1629

WEST COAST DIVISION
2490 Ewald S.E.
Salem, OR 97302
Phone: 800-253-2909
FAX: 503-370-4389

